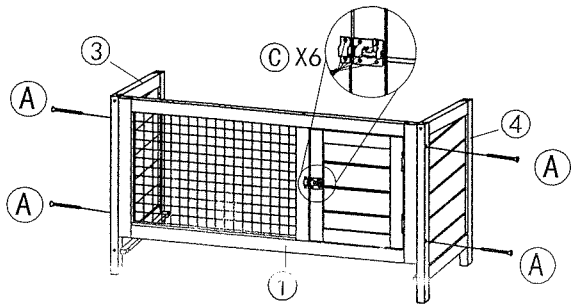
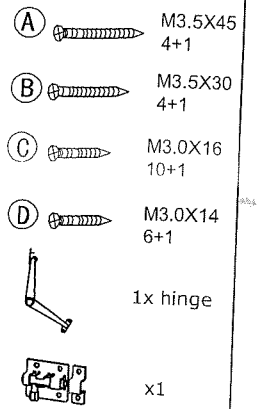
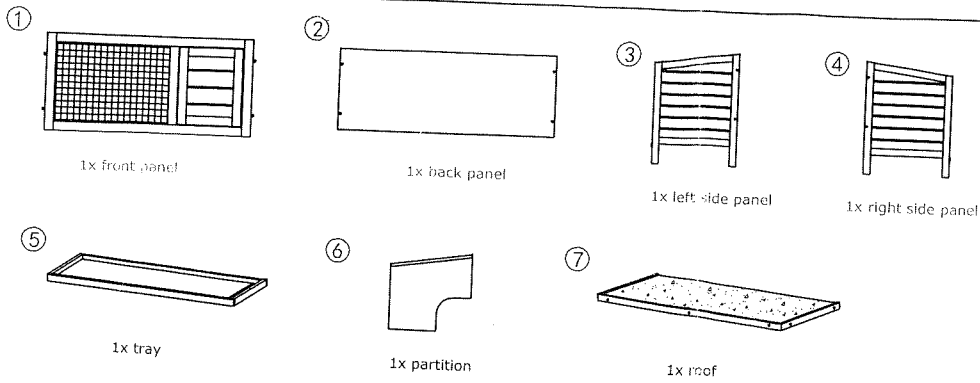
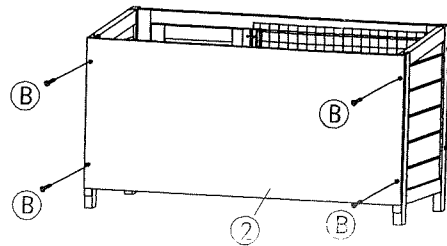


Konijnenhok Boemsy Assembly Instructions

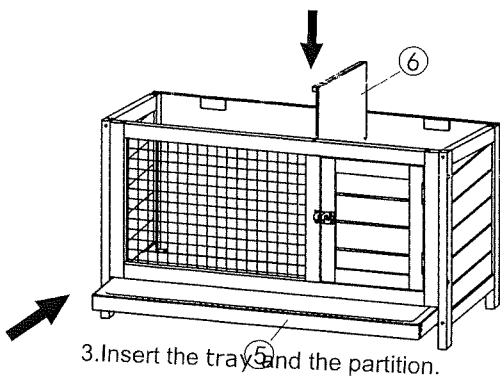
dsp international b.v.



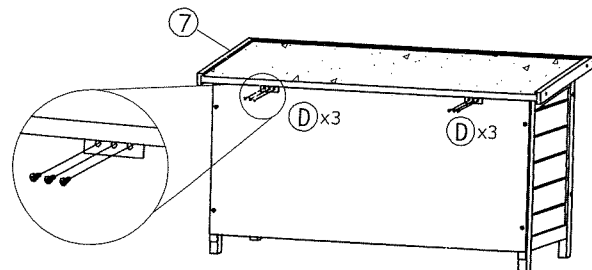
1. Connect the front panel with the left and right side panel.



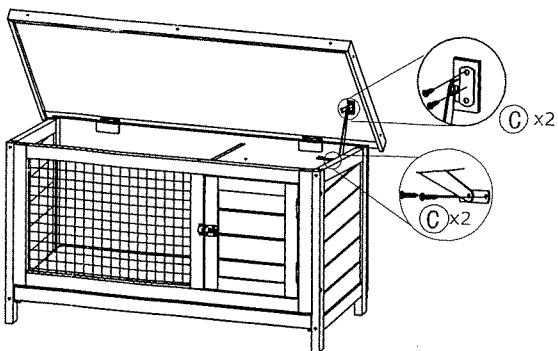
2. Fix the back panel .



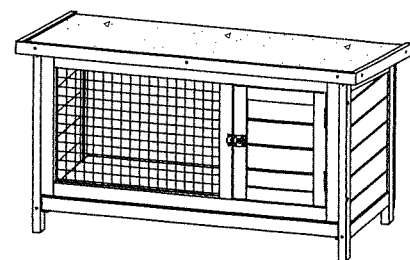
3. Insert the tray and the partition.



4. Fix the roof .



5. Fix the hinge.



6. Complete unit.