








Dsp international b.v.
wholesale import

Voliere Flower Assembly Instructions

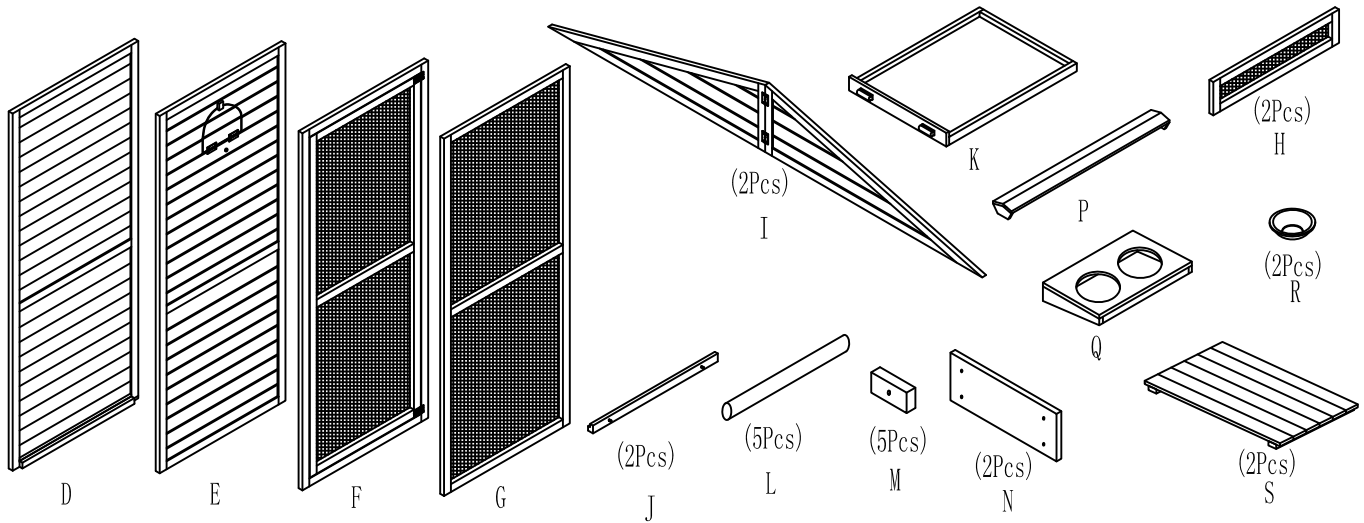
Contents box 1

Screws:

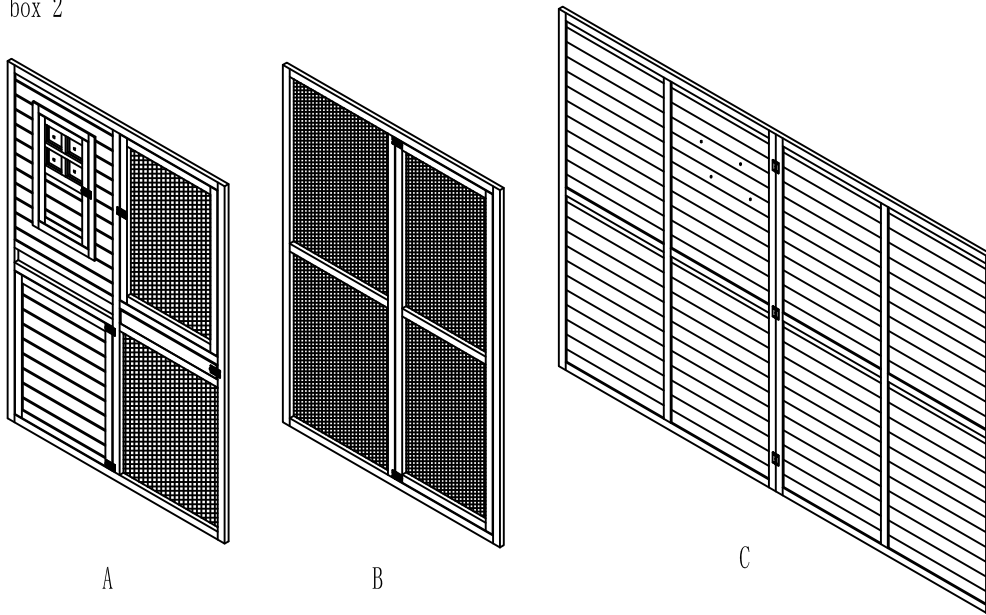
- ①  $\varnothing 3.5 \times 60$ 3Pcs
- ②  $\varnothing 3.5 \times 50$ 8Pcs
- ③  $\varnothing 3.5 \times 40$ 30Pcs
- ④  $\varnothing 3.5 \times 35$ 10Pcs
- ⑤  $\varnothing 3.5 \times 25$ 12Pcs

Bolts :

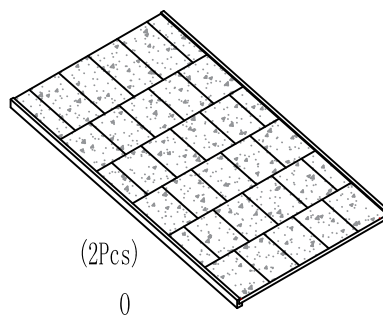
- ⑥  M6x40 5Pcs



Contents box 2



Contents box 3

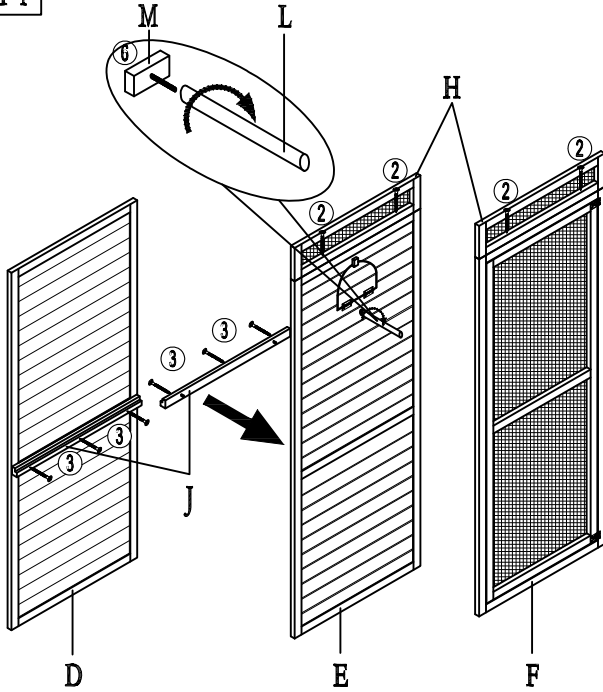




Dsp international b.v.
wholesale import

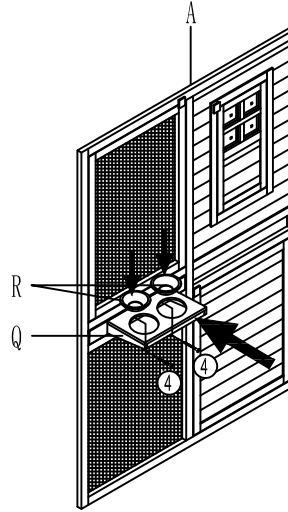
Voliere Flower Assembly Instructions

STEP 1



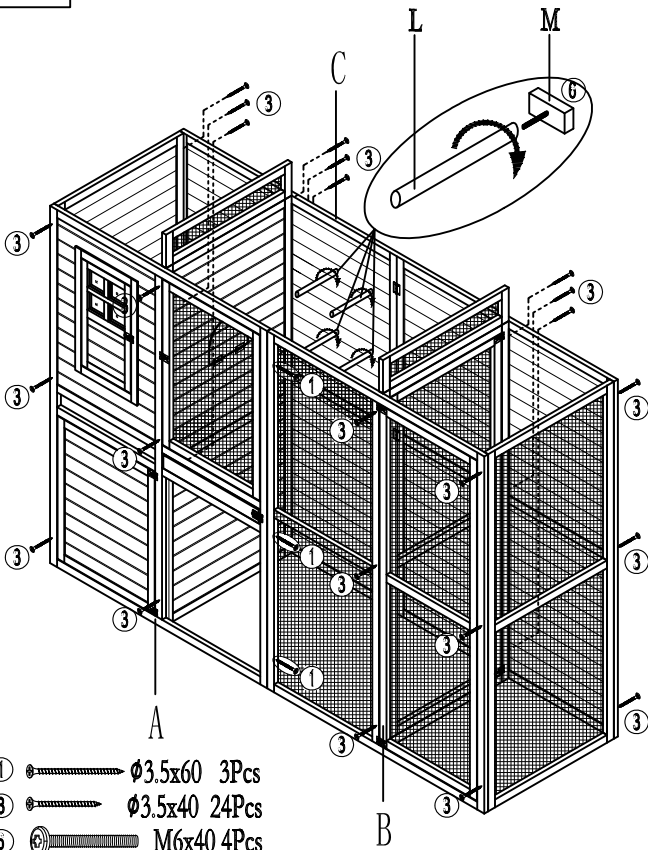
- ② $\varnothing 3.5 \times 50$ 4Pcs
- ③ $\varnothing 3.5 \times 40$ 6Pcs
- ⑥ M6x40 1Pcs

STEP 2



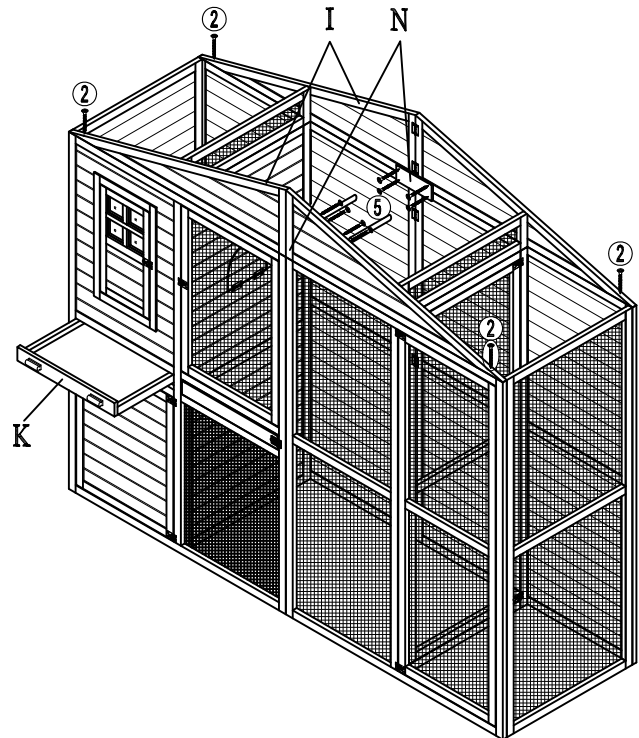
- ④ $\varnothing 3.5 \times 35$ 2Pcs

STEP 3



- ① $\varnothing 3.5 \times 60$ 3Pcs
- ③ $\varnothing 3.5 \times 40$ 24Pcs
- ⑥ M6x40 4Pcs

STEP 4



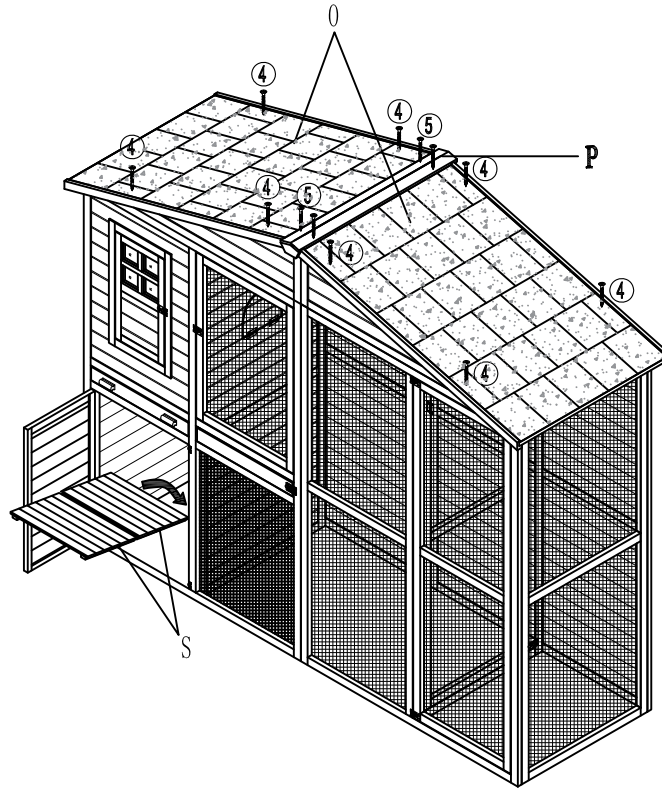
- ② $\varnothing 3.5 \times 50$ 4Pcs
- ⑤ $\varnothing 3.5 \times 25$ 8Pcs

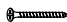
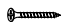


Dsp international b.v.
wholesale import

Voliere Flower Assembly Instructions

STEP 5



- ④  $\varnothing 3.5 \times 35$ 8Pcs
- ⑤  $\varnothing 3.5 \times 25$ 4Pcs

STEP 6

