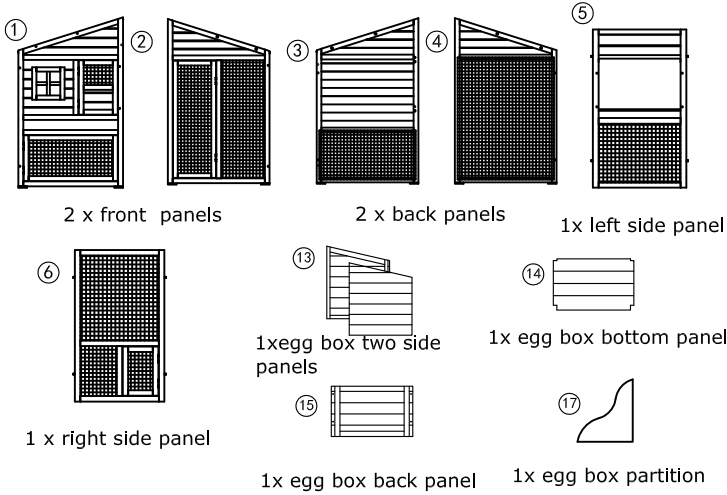


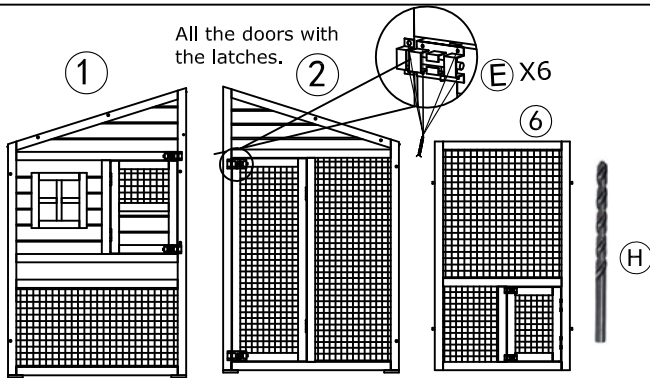
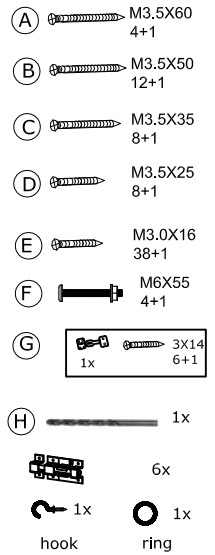
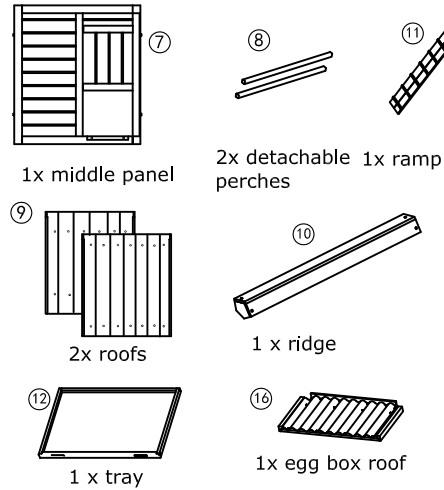
Dierenverblijf Wilma Assembly Instructions

dsp international b.v.

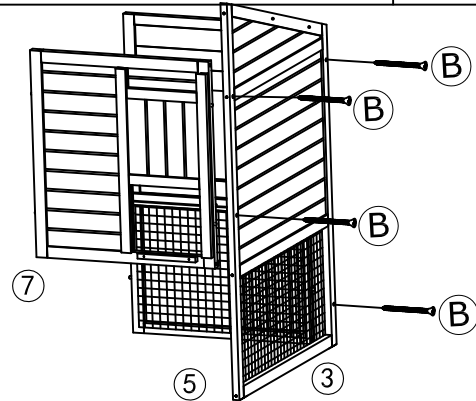
contents box 1:



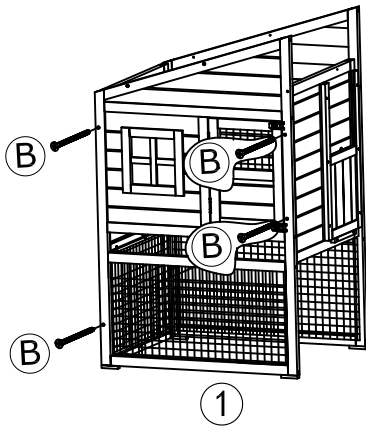
contents box 2:



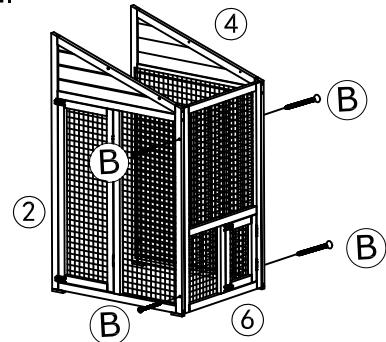
1. Drill holes to fix latches.



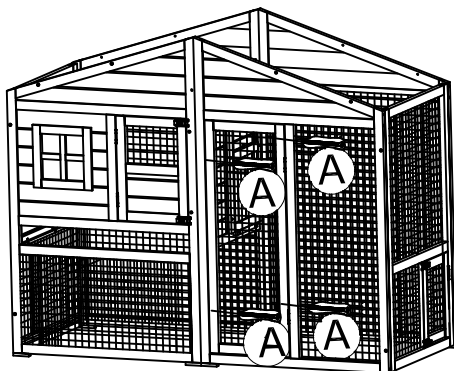
2. Connect the left side panel and the left back panel then Fix the middle partition.



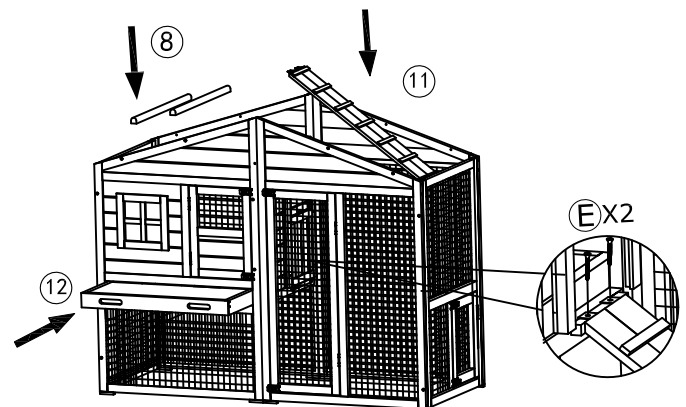
3. Fix the left front panel.



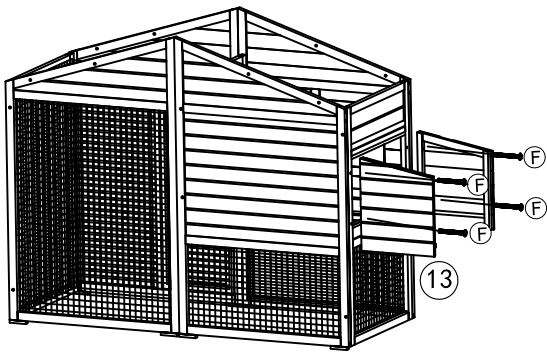
4. Connect the right front panel and right side panel then Fix the right back panel.



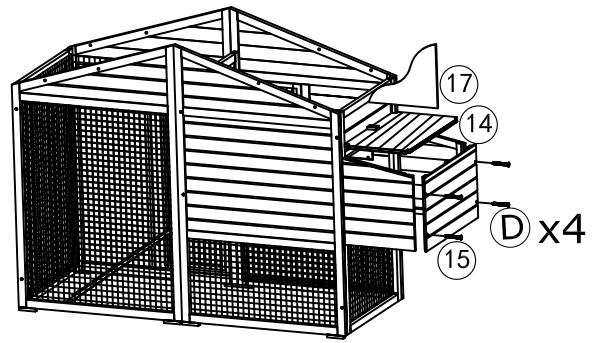
5. Connect the left part and the right part.



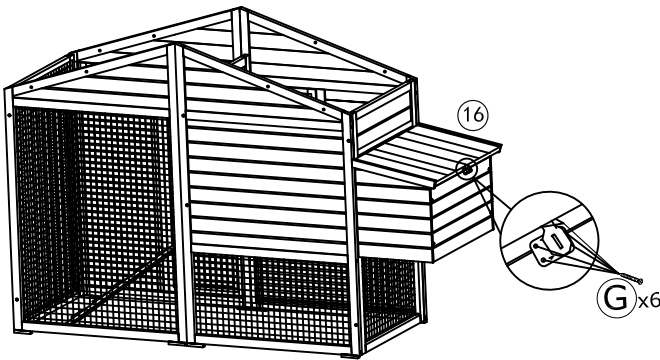
6. Insert the tray and detachable perches then Fix the ramp.



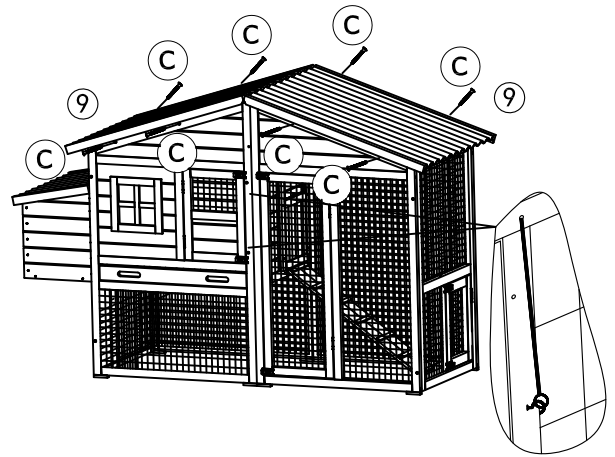
7. Fix the egg box two side panel.



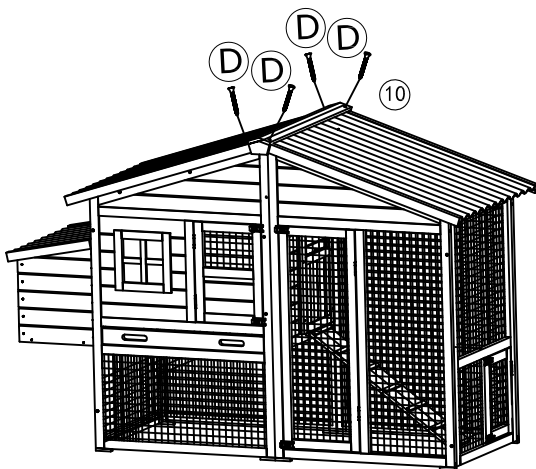
8. Insert the bottom panel & the partition then fix the egg box back panel .



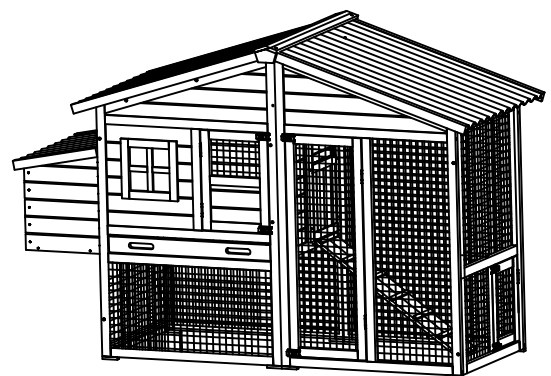
9. Fix the egg box roof and the decoration.



10. Insert the hook then fix the ring on the line , fix the two roofs.



11. Fix the ridge.



12. Finish.