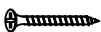
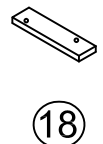
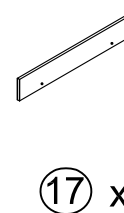
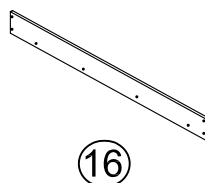
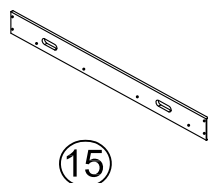
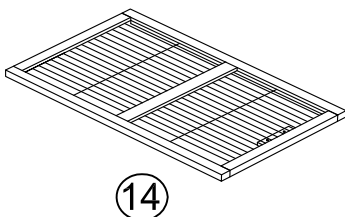
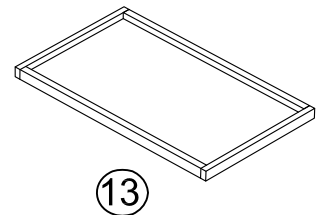
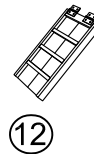
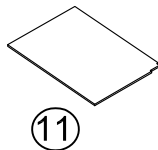
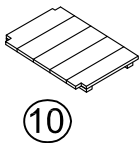
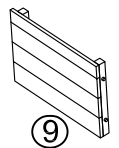
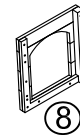
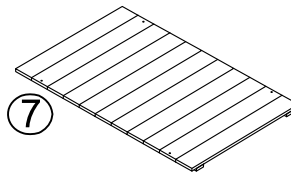
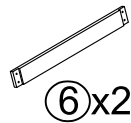
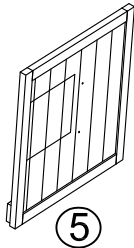
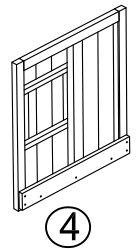
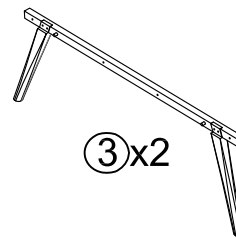
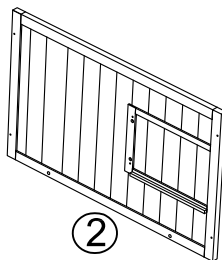
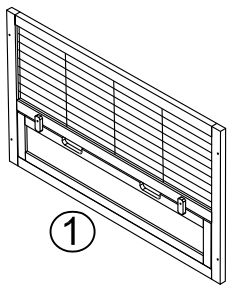
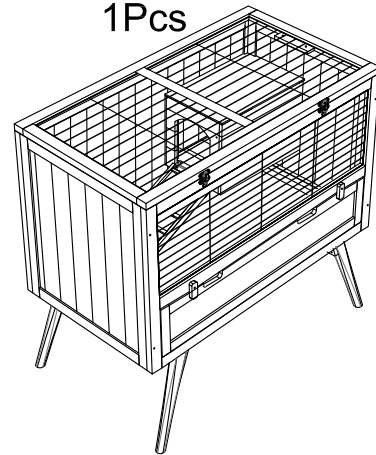




# Rabbit hutch Anna Instruction

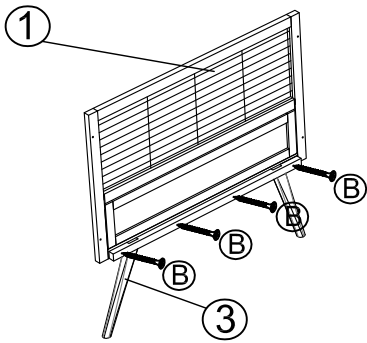
- (A)  3.5 x 40    8Pcs
- (B)  3.5 x 35    10Pcs
- (C)  3.5 x 30    30Pcs
- (D)  3.0 x 16    14Pcs
- (E)  3.0 x 12    6Pcs
- (F)  3.0 x 38    8Pcs
- (G)             2Pcs
- (H)  3.0 x 20    2Pcs

- (R)             1Pcs

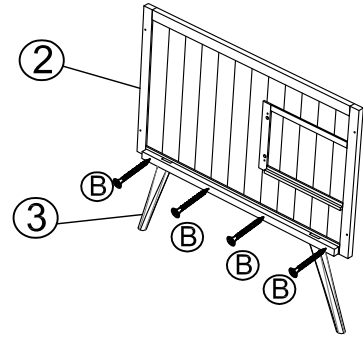


# Rabbit hutch Anna Instruction

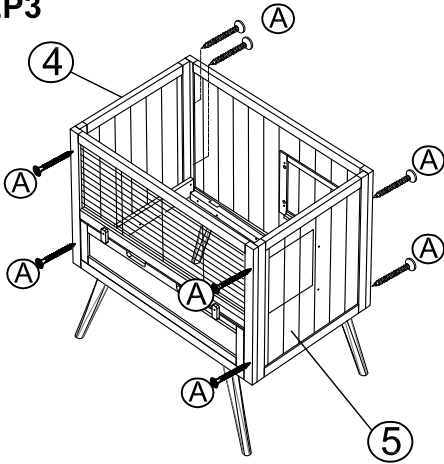
## STEP1



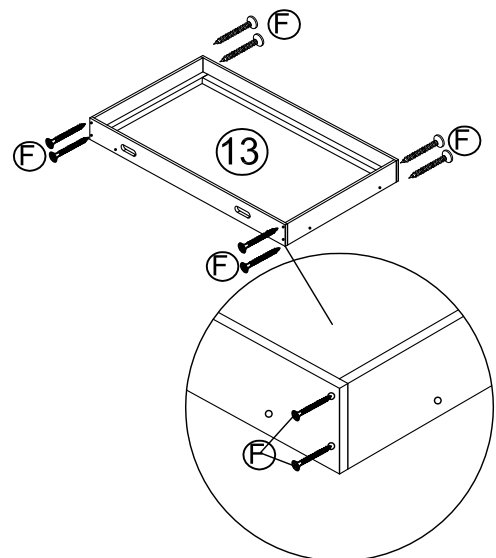
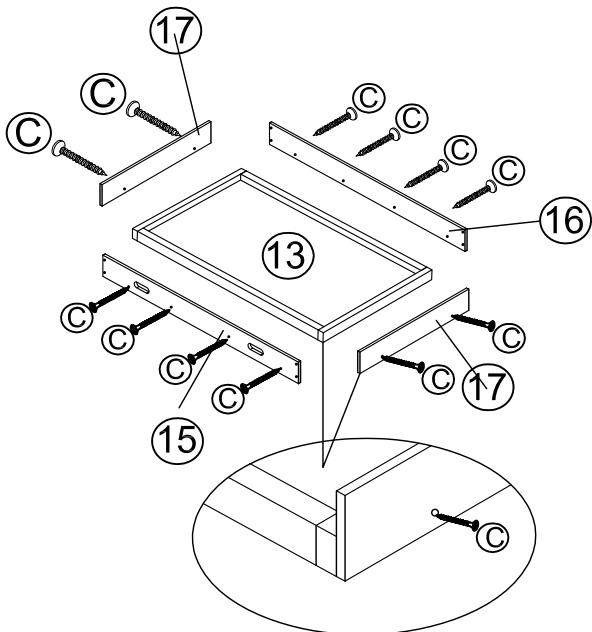
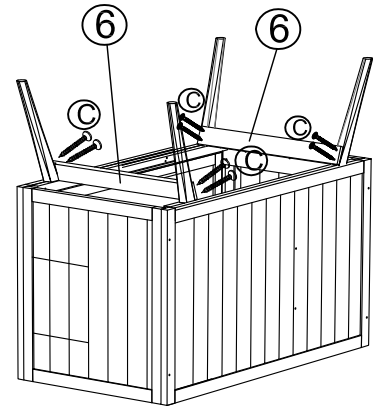
## STEP2



## STEP3



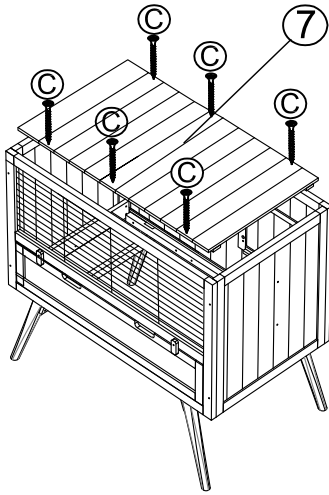
## STEP4



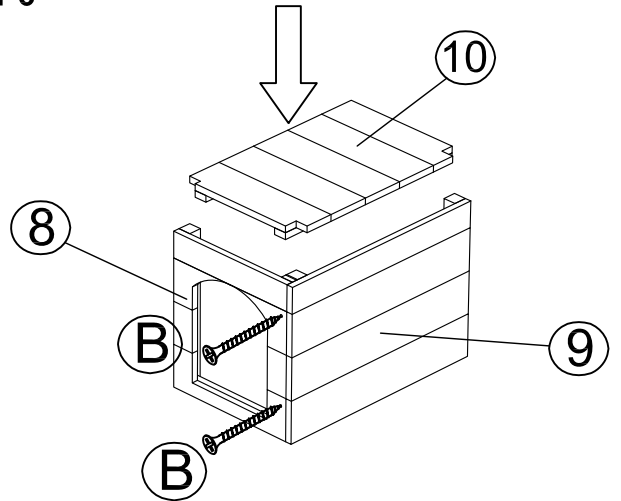


# Rabbit hutch Anna Instruction

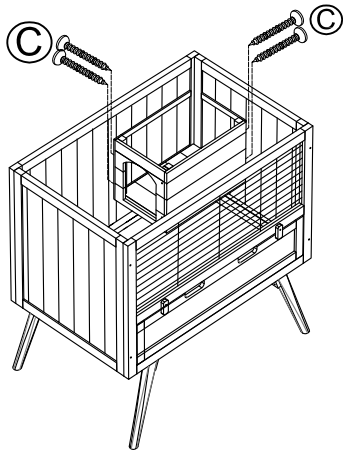
STEP5



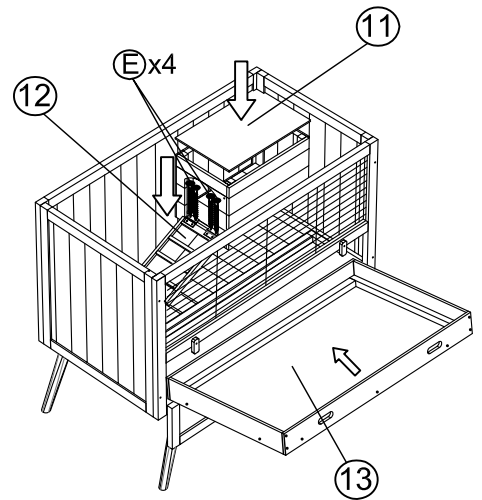
STEP6



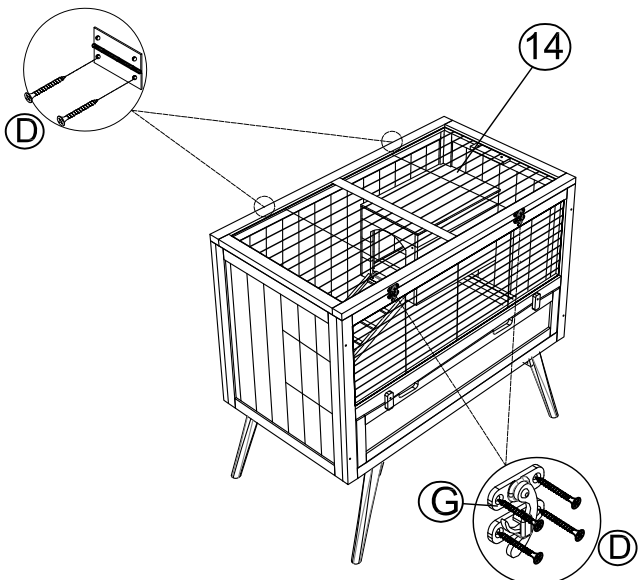
STEP7



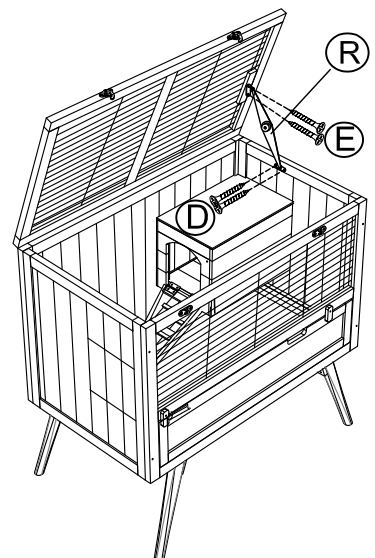
STEP8



STEP9



STEP10



# Rabbit hutch Anna Instruction

