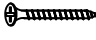
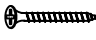
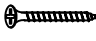
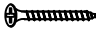


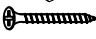
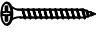


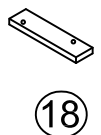
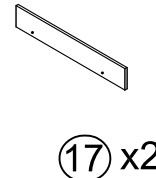
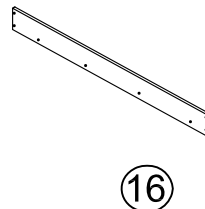
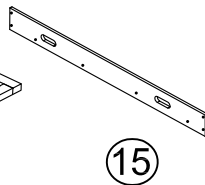
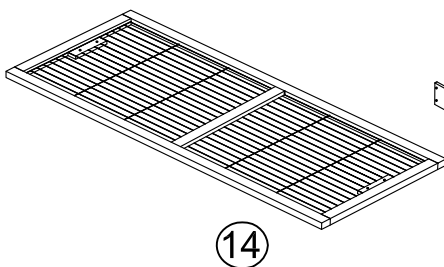
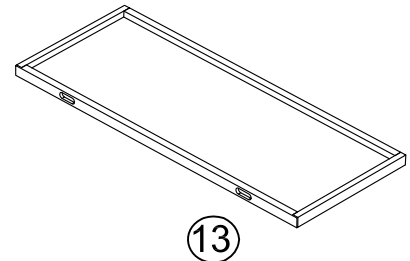
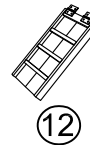
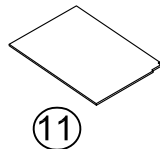
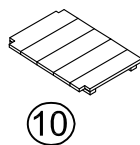
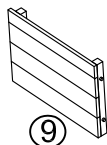
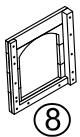
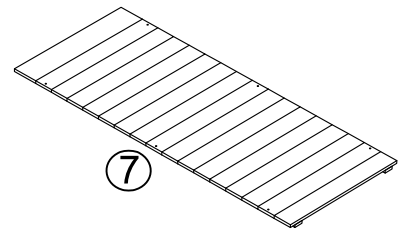
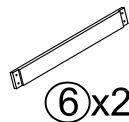
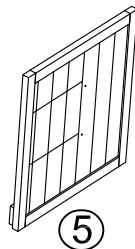
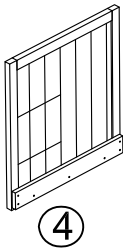
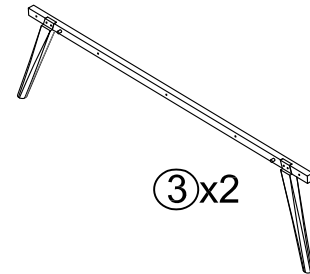
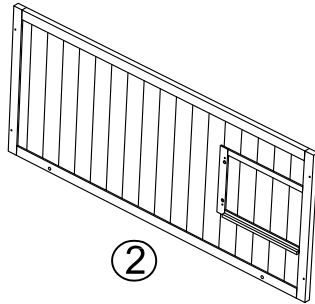
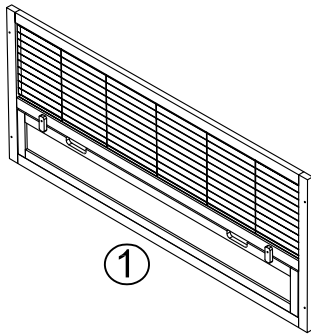
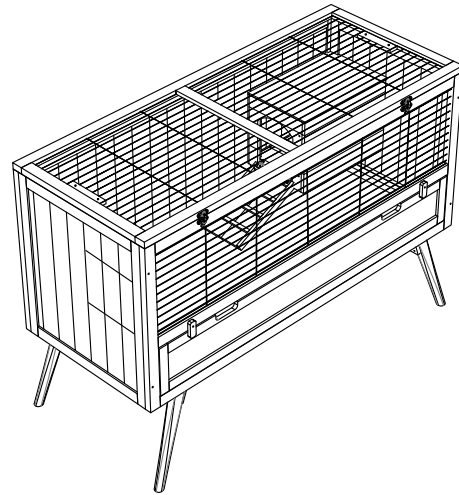




Rabbit hutch Nina Instruction

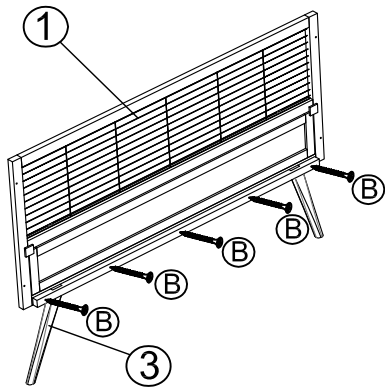
- (A)  3.5 x 40 8Pcs
- (B)  3.5 x 35 12Pcs
- (C)  3.5 x 30 30Pcs
- (D)  3.0 x 16 18Pcs
- (E)  3.0 x 12 8Pcs
- (F)  2Pcs
- (G)  3.0 x 38 8Pcs
- (H)  3.0 x 20 2Pcs
- (L)  1Pcs
- (R)  1Pcs



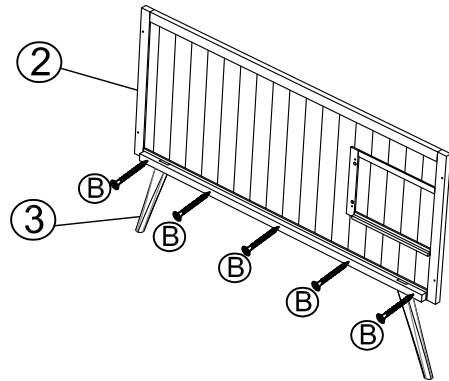


Rabbit hutch Nina Instruction

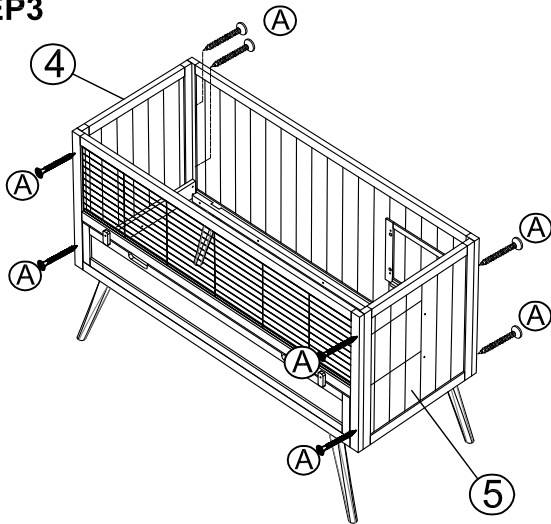
STEP1



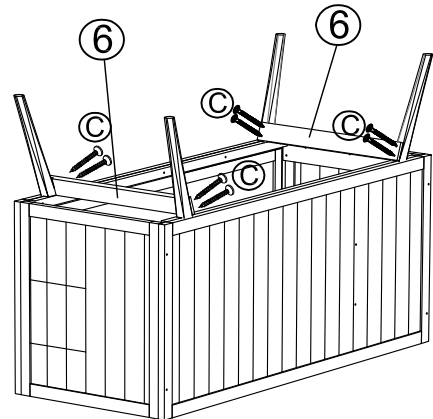
STEP2



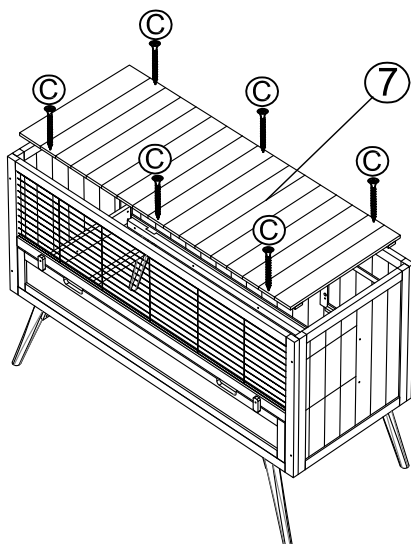
STEP3



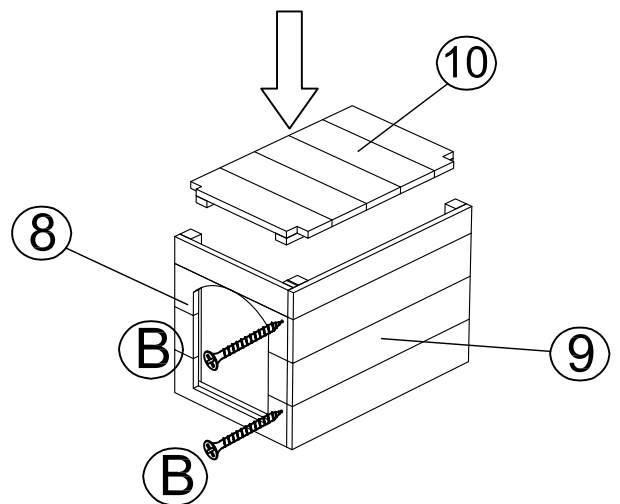
STEP4



STEP5

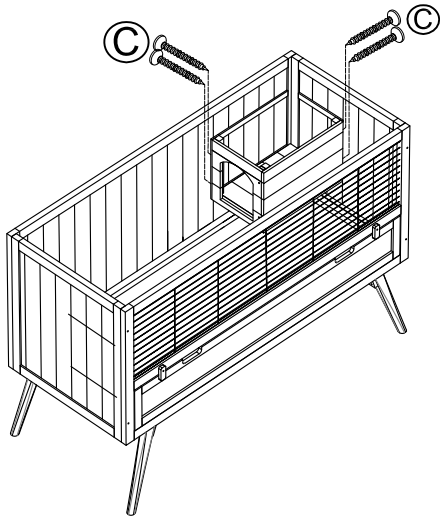


STEP6

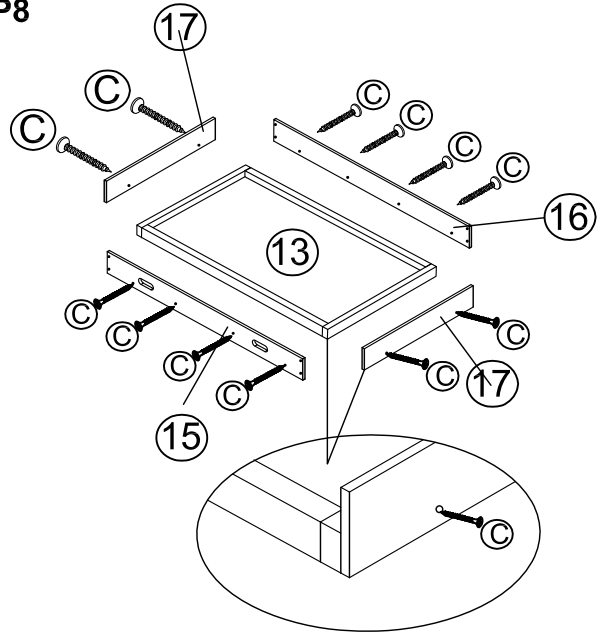


Rabbit hutch Nina Instruction

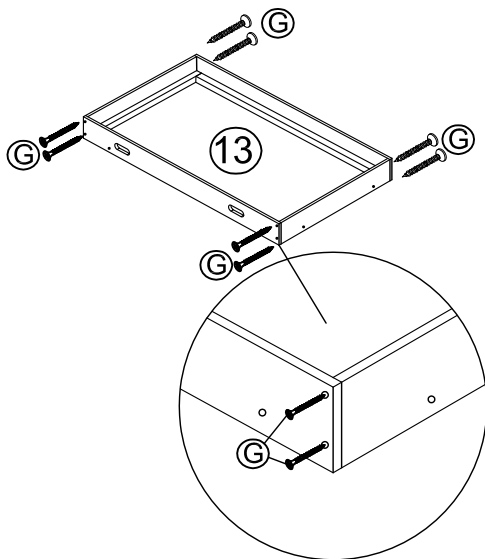
STEP 7



STEP 8

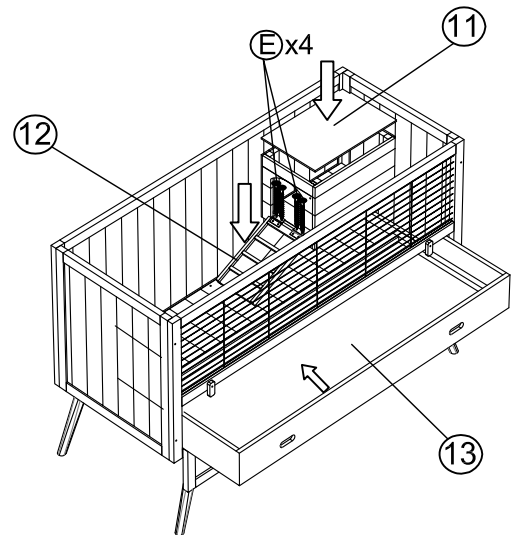


STEP 9

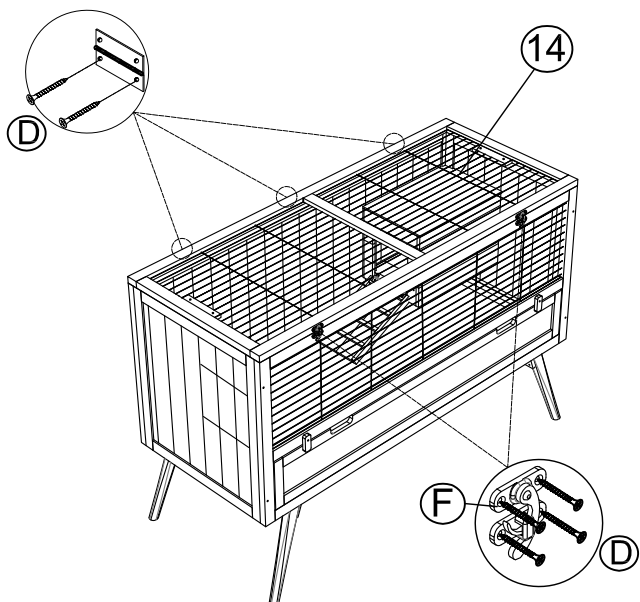


4-2

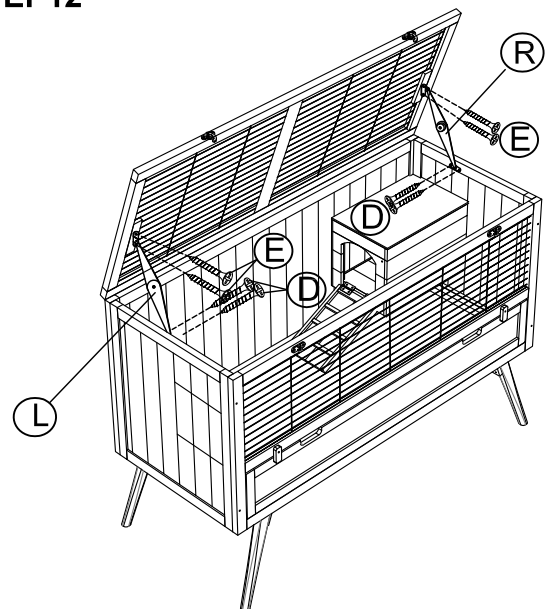
STEP 10



STEP 11



STEP 12



4-3



Rabbit hutch Nina Instruction

