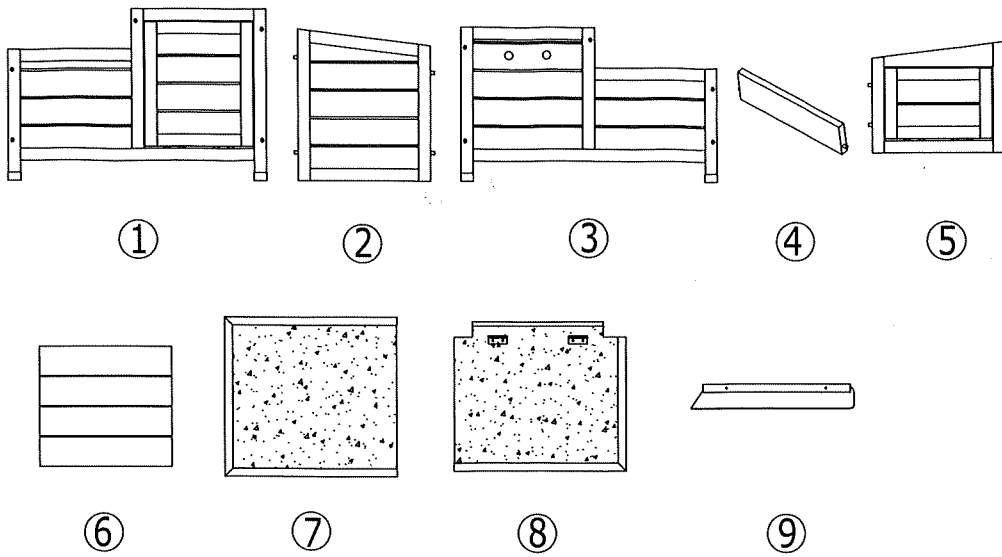


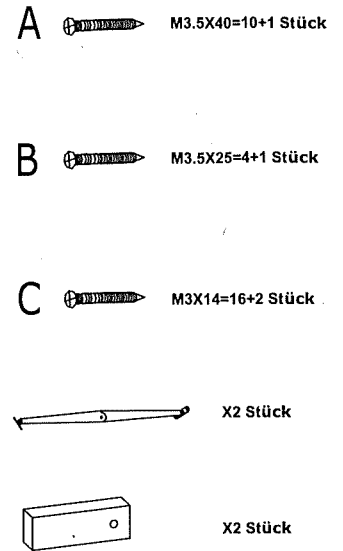


# Nachthok Snoopy Assembly Instructions

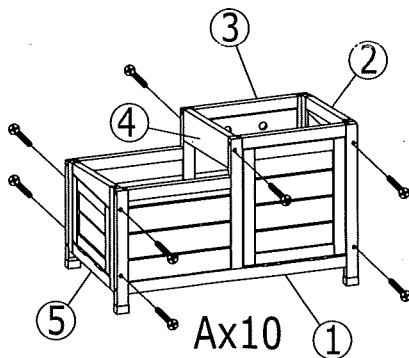
## contents box 1



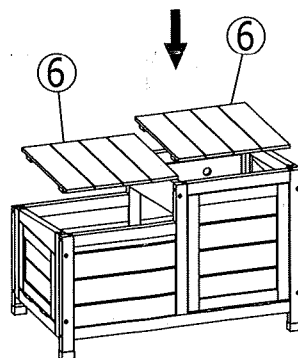
## contents box 1



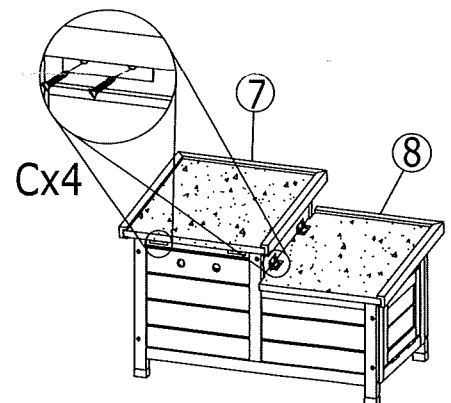
### STEP-01



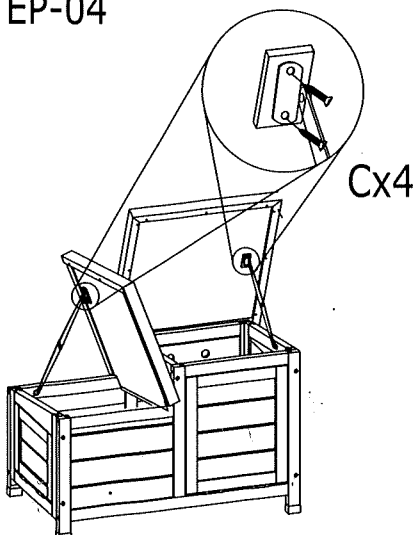
### STEP-02



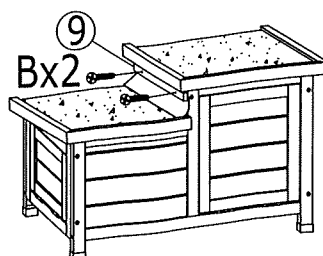
### STEP-03



### STEP-04



### STEP-05



### STEP-06

