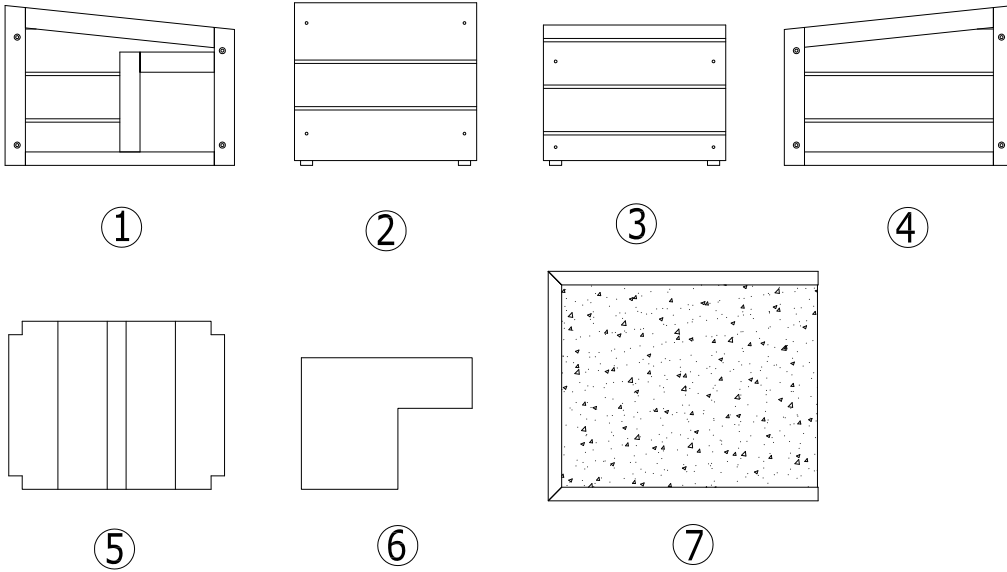



Nachthok Spiky Assembly Instructions

contents box 1



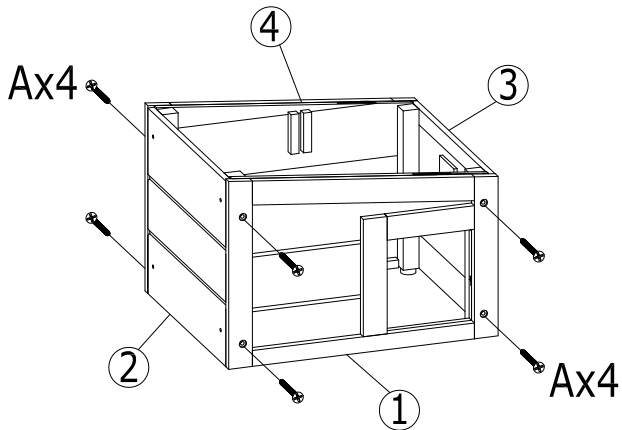
contents box 1

A  M3.5X35=8+1 Stück

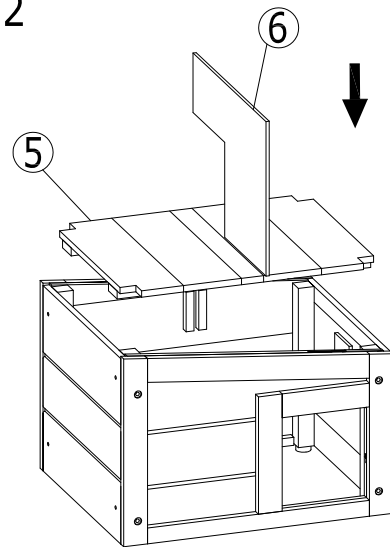
B  M3X12=12+1 Stück

 X2 Stück

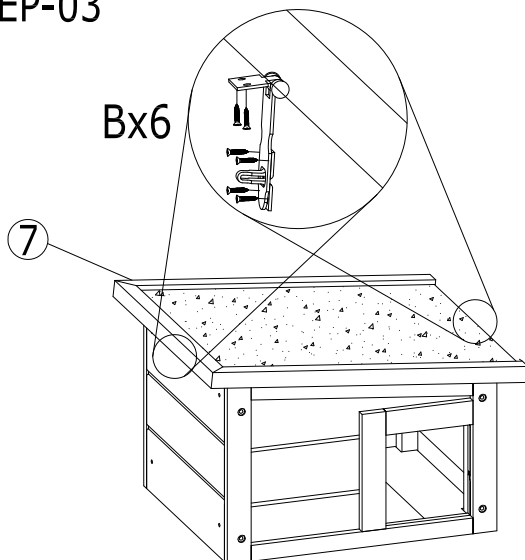
STEP-01



STEP-02



STEP-03



STEP-04

