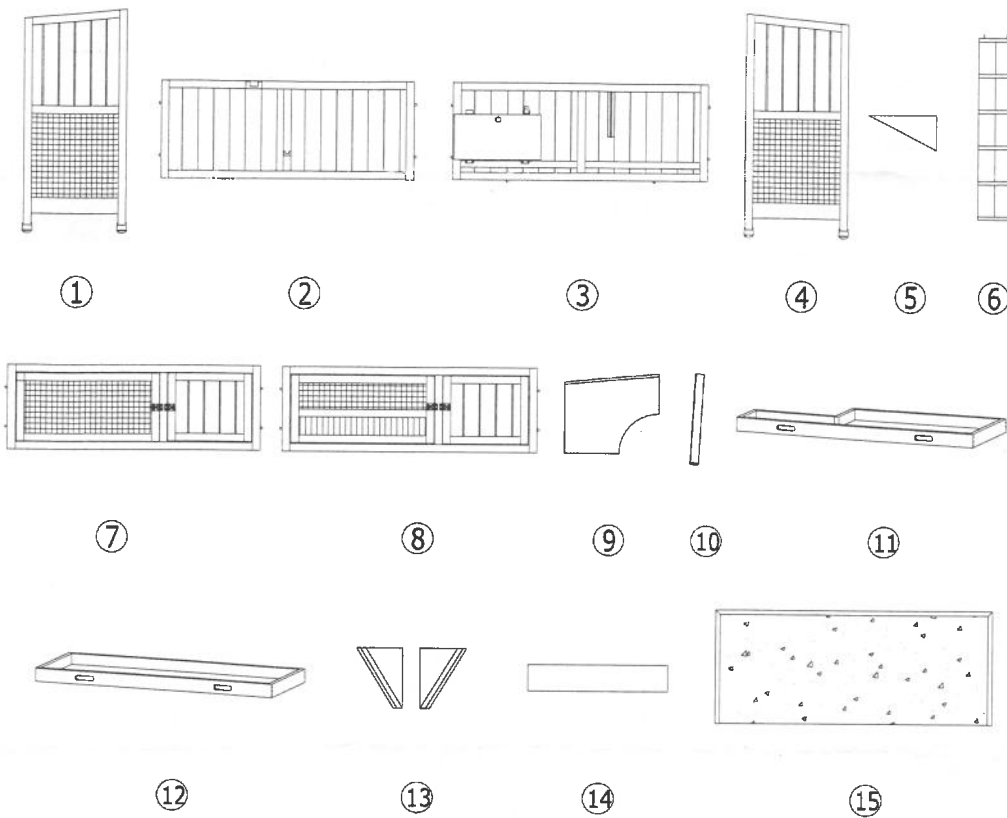




konijnenhok Vince Assembly Instructions

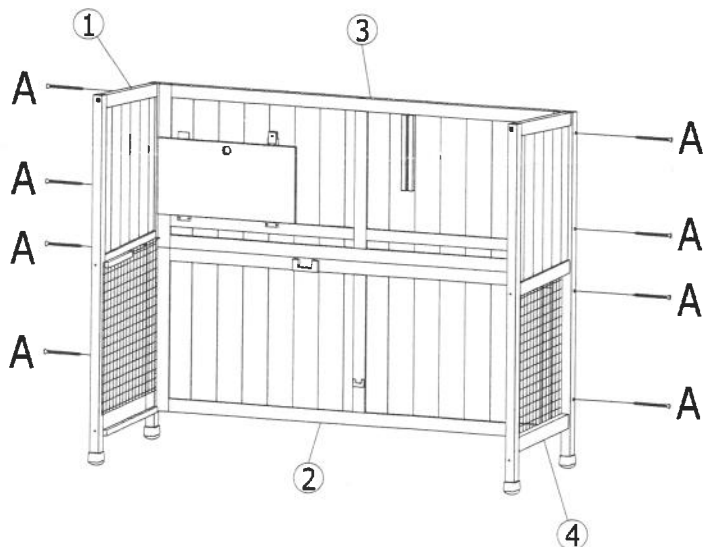
contents box 1



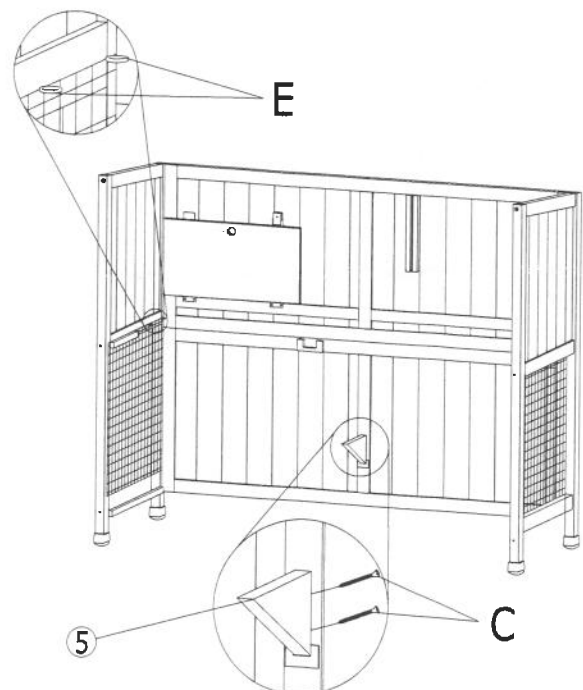
contents box 1

- A M3.5X50=16+1PCS
- B M3.5X35=4+1PCS
- C M3.0X35=6+1PCS
- D M3.0X16=1+1PCS
- E 2PCS

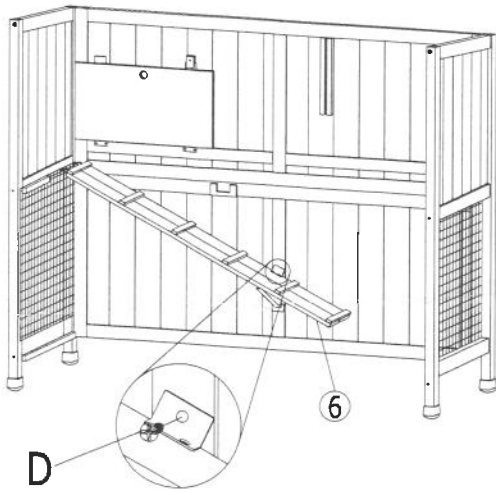
STEP-01



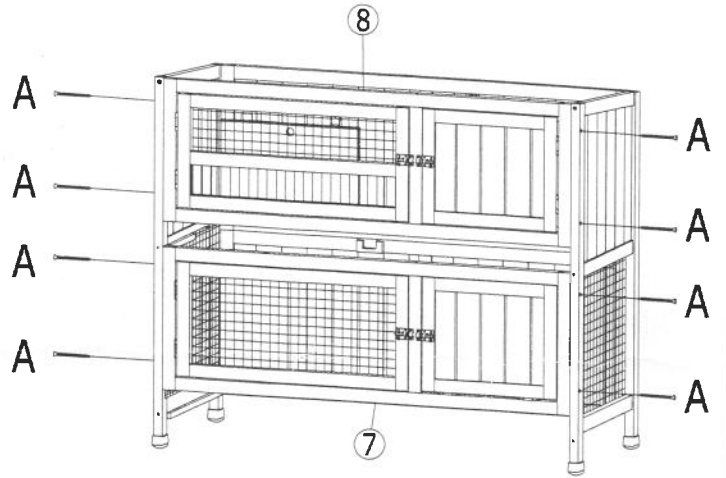
STEP-02



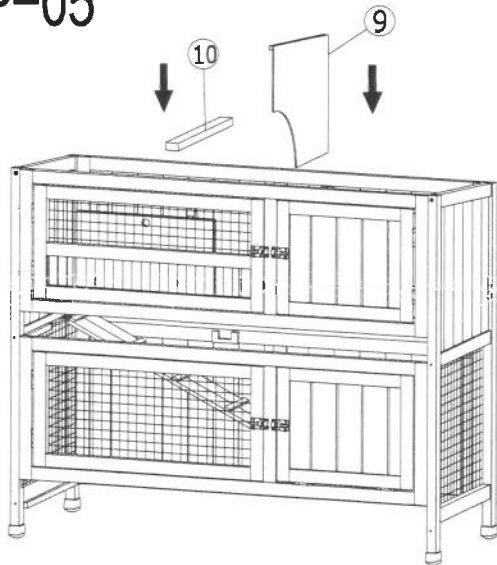
STEP-03



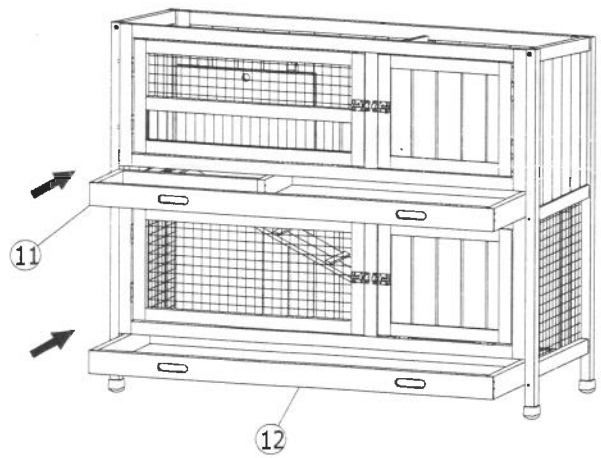
STEP-04



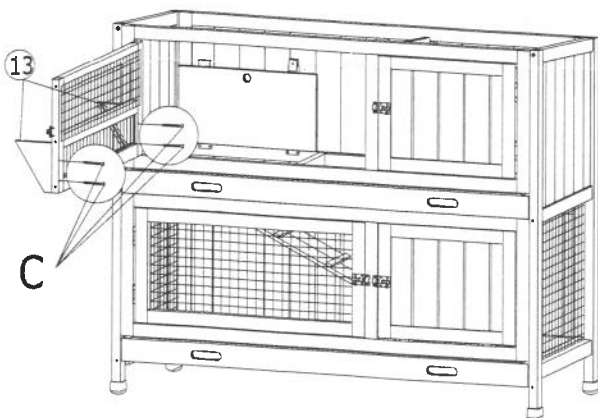
STEP-05



STEP-06



STEP-07



STEP-08

